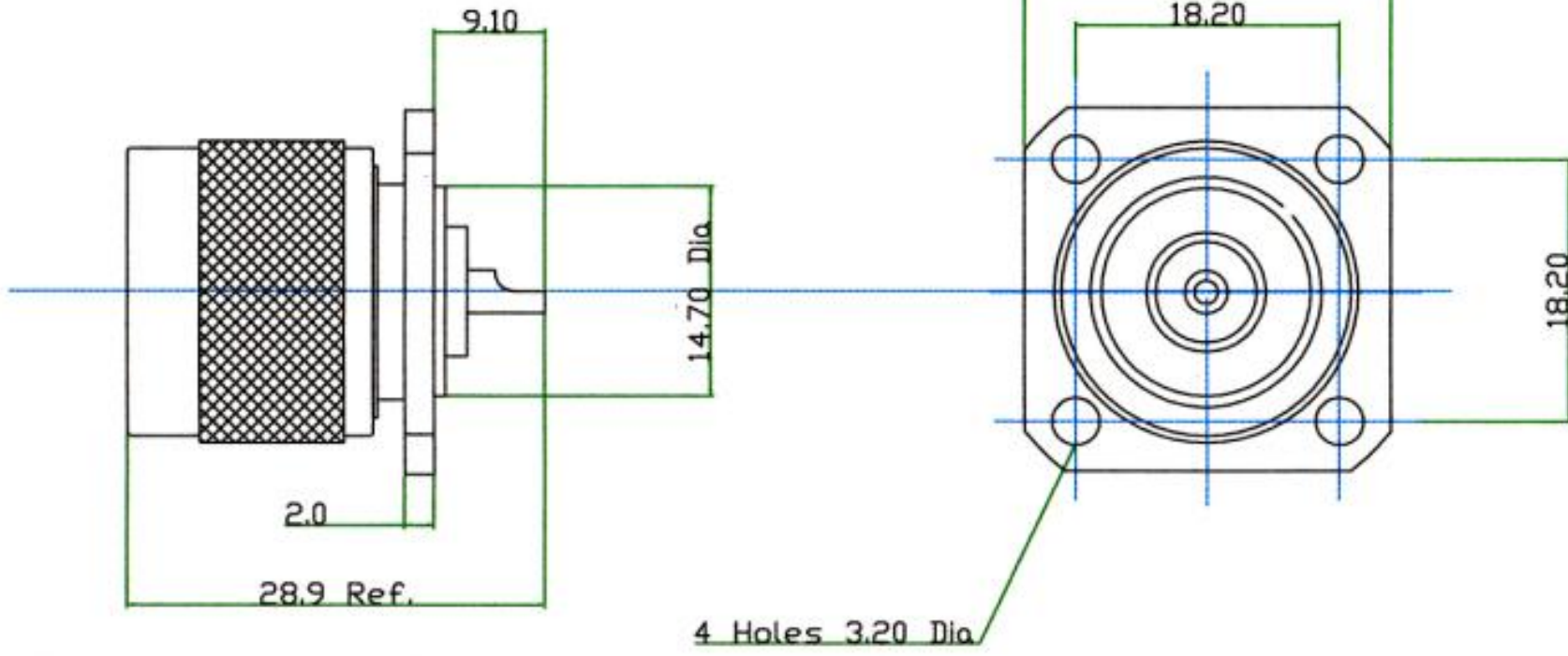


01279 639251

sales@ccsukltd.co.uk



Intermod Spec:
 -163dBc @ 2 Ghz
 -120bBm with 2x20watt
 carriers.

Item	Material	Plating
Body	Brass	Silver 5.5 to 6.5 micron
Contact	Be-Cu	Copper 0.1 to 0.5 micron
Insulator	P.T.F.E.	Silver 5.5 to 6.5 micron
		Copper 0.1 to 0.5 micron

CONNECTORS CABLES
CCS
SPECIALISTS LTD.

QTY REQD PER ASSY				PARTS LIST			
				MATERIAL	REGRIND	COLOUR	POST TREATMENT
				-	-	-	-
				DR L. WILSON	APP -	CCS LTDologies Ltd.	
				CHK -	REL -		
				NAME N - Panel Plug - Solder Bucket			
				SCALE 2:1	LOC --	SIZE A4	DWG NO 5NNNCZ00999XX
						SHEET 1 OF 1	REV 1

REV	REVISION RECORD, EC-MDR	DATE	DR
2	Intermod & plating notes	08-11-99	L.S.W.
1	Issued - (SK00168)	17-02-99	L.S.W.

TOLERANCES UNLESS OTHERWISE SPECIFIED:
 ± 0.10
 ANGLES ± 1°
 SURF TEXTURE: - J
 REMOVE BURRS, BREAK SHARP EDGES.
 PROJECT NO WAS
 USED ON